

Inverter



File: inverter.kicad_sch

Current Sense



File: current_sense.kicad_sch

THIS IS THE ROOT PAGE OF THE "HIERACHAL" SCHEMATIC AND WAS CREATED TO OVERCOME KICAD'S LIMITATION OF A FLAT MULTI-PAGE SCHEMATIC.

External Connectors



File: connectors.kicad_sch

Hardware and Notes



File: hardware_and_notes.kicad_sch

A

A

B

B

C

C

D

D

CUSTOMER NOTICE

THIS CIRCUIT IS FOR DEMONSTRATION PURPOSES ONLY. IT REMAINS THE RESPONSIBILITY OF THE CUSTOMER TO VERIFY PROPER AND RELIABLE OPERATION IN THE ACTUAL APPLICATION. COMPONENT SUBSTITUTION AND PRINTED CIRCUIT BOARD LAYOUT MAY SIGNIFICANTLY AFFECT CIRCUIT PERFORMANCE OR RELIABILITY. CONTACT NEXPERIA FOR SUPPORT VIA <https://www.nexperia.com/support>



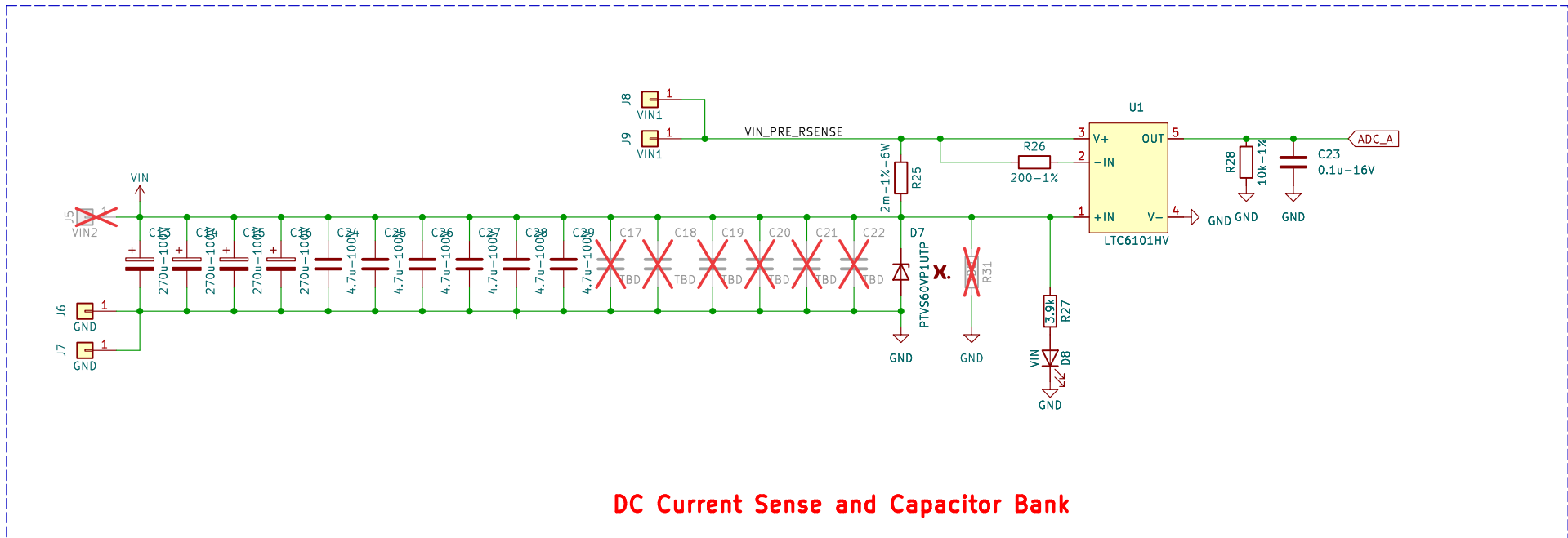
Orderable: n/a
Designed for: Draft
Contact: <https://www.nexperia.com/support>

Sheet: /
File: nevb_3inv_001.kicad_sch

Title: Motor 3-Phase Inverter Board NEVB-3INV-001-xx

Size: A4 Date: 2024-02-04
KiCad E.D.A. kicad 7.0.7

Rev: 00
Id: 1/5



CUSTOMER NOTICE

THIS CIRCUIT IS FOR DEMONSTRATION PURPOSES ONLY. IT REMAINS THE RESPONSIBILITY OF THE CUSTOMER TO VERIFY PROPER AND RELIABLE OPERATION IN THE ACTUAL APPLICATION. COMPONENT SUBSTITUTION AND PRINTED CIRCUIT BOARD LAYOUT MAY SIGNIFICANTLY AFFECT CIRCUIT PERFORMANCE OR RELIABILITY. CONTACT NEXPERIA FOR SUPPORT VIA <https://www.nexperia.com/support>



Orderable: n/a
 Designed for: Draft
 Contact: <https://www.nexperia.com/support>

Sheet: /Current Sense/
 File: current_sense.kicad_sch

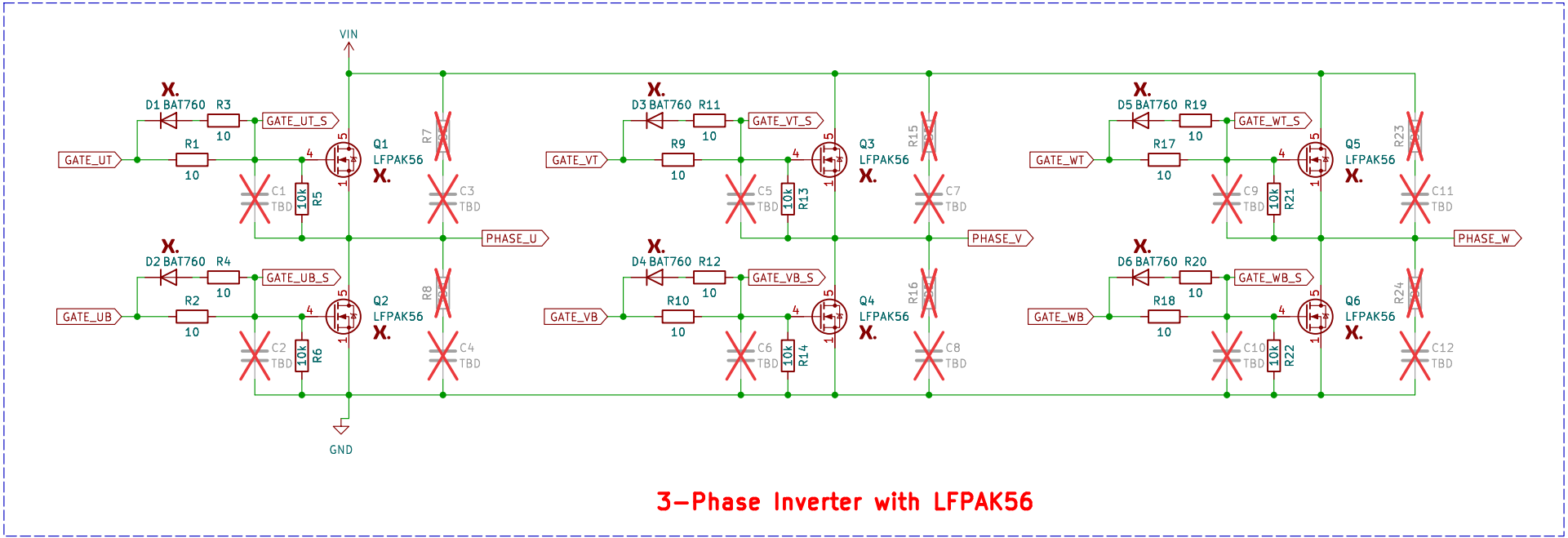
Title: Motor 3-Phase Inverter Board NEVB-3INV-001-xx

Size: A4 Date: 2024-02-04

Rev: 00

KiCad E.D.A. kicad 7.0.7

Id: 2/5



3-Phase Inverter with LFPK56

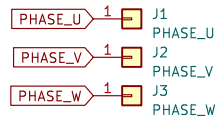
CUSTOMER NOTICE

THIS CIRCUIT IS FOR DEMONSTRATION PURPOSES ONLY. IT REMAINS THE RESPONSIBILITY OF THE CUSTOMER TO VERIFY PROPER AND RELIABLE OPERATION IN THE ACTUAL APPLICATION. COMPONENT SUBSTITUTION AND PRINTED CIRCUIT BOARD LAYOUT MAY SIGNIFICANTLY AFFECT CIRCUIT PERFORMANCE OR RELIABILITY. CONTACT NEXPERIA FOR SUPPORT VIA <https://www.nexperia.com/support>

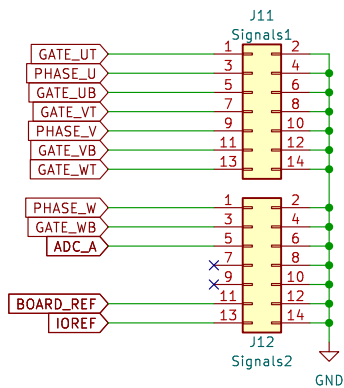
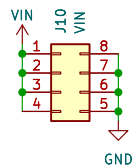


Orderable: n/a
 Designed for: Draft
 Contact: <https://www.nexperia.com/support>

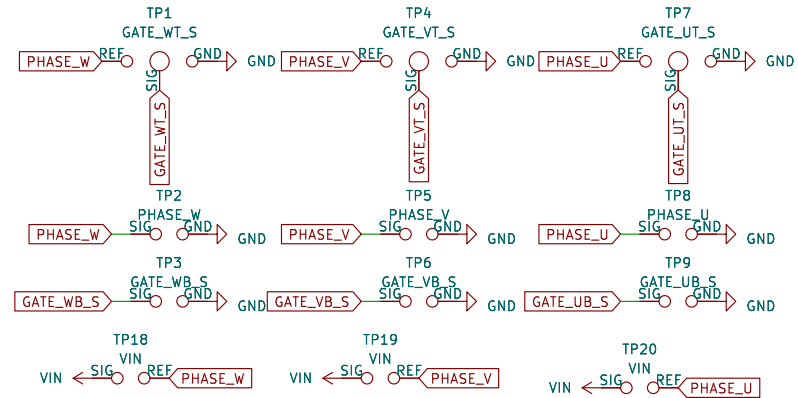
Sheet: /Inverter/		File: inverter.kicad_sch	
Title: Motor 3-Phase Inverter Board NEVB-3INV-001-xx			
Size: A4	Date: 2024-02-04	Rev: 00	
KiCad E.D.A. kicad 7.0.7		Id: 3/5	



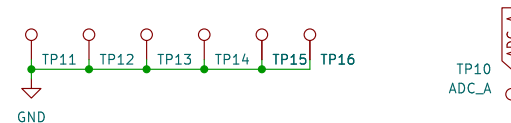
Motor Connections



Connections to Controller Board



The 2/3 pole test points can be used with differential probes, special probe tips or ground springs for cleaner measurements. By default they have only SIG pin populated with a test point. Alternatively, a 2.54/5.08 mm pin header can be populated.



Test Points

CUSTOMER NOTICE

THIS CIRCUIT IS FOR DEMONSTRATION PURPOSES ONLY. IT REMAINS THE RESPONSIBILITY OF THE CUSTOMER TO VERIFY PROPER AND RELIABLE OPERATION IN THE ACTUAL APPLICATION. COMPONENT SUBSTITUTION AND PRINTED CIRCUIT BOARD LAYOUT MAY SIGNIFICANTLY AFFECT CIRCUIT PERFORMANCE OR RELIABILITY. CONTACT NEXPERIA FOR SUPPORT VIA <https://www.nexperia.com/support>



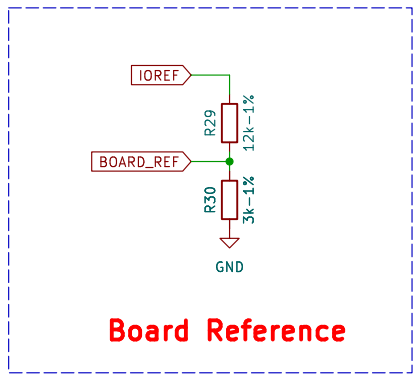
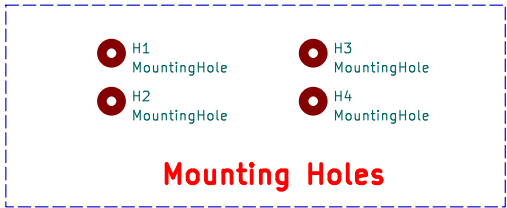
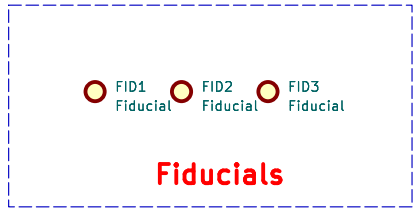
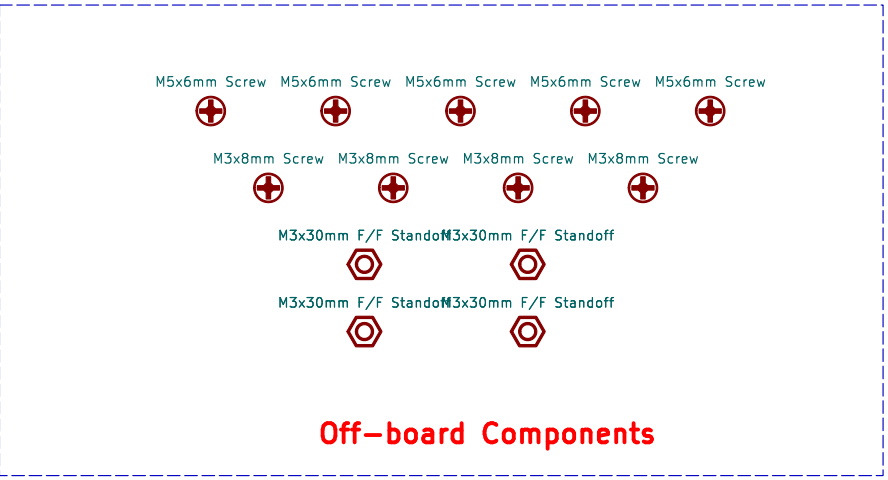
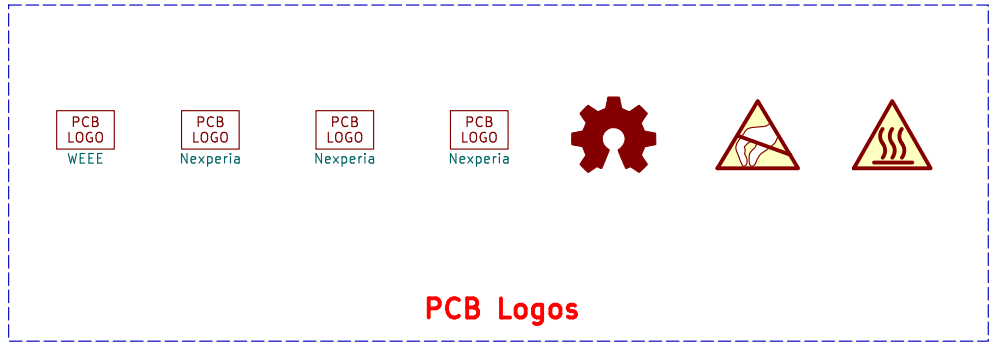
Orderable: n/a
 Designed for: Draft
 Contact: <https://www.nexperia.com/support>

Sheet: /External Connectors/
 File: connectors.kicad_sch

Title: Motor 3-Phase Inverter Board NEVB-3INV-001-xx

Size: A4 Date: 2024-02-04
 KiCad E.D.A. kicad 7.0.7

Rev: 00
 Id: 4/5



CUSTOMER NOTICE

THIS CIRCUIT IS FOR DEMONSTRATION PURPOSES ONLY. IT REMAINS THE RESPONSIBILITY OF THE CUSTOMER TO VERIFY PROPER AND RELIABLE OPERATION IN THE ACTUAL APPLICATION. COMPONENT SUBSTITUTION AND PRINTED CIRCUIT BOARD LAYOUT MAY SIGNIFICANTLY AFFECT CIRCUIT PERFORMANCE OR RELIABILITY. CONTACT NEXPERIA FOR SUPPORT VIA <https://www.nexperia.com/support>



Orderable: n/a
Designed for: Draft
Contact: <https://www.nexperia.com/support>

Sheet: /Hardware and Notes/ File: hardware_and_notes.kicad_sch	
Title: Motor 3-Phase Inverter Board NEVB-3INV-001-xx	
Size: A4	Rev: 00
Date: 2024-02-04	Id: 5/5
KiCad E.D.A. kicad 7.0.7	