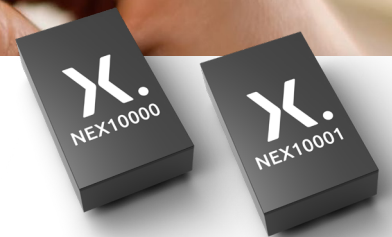


# NEX10000/1 2.7 to 5 V LCD bias power supply IC for smartphones and tablets

Nexperia is addressing the growing demand for small size, high efficiency and small BOM and PCB areas in next generation consumer electronics. The LCD bias power supply ICs are designed for Thin Film Transistor Liquid Crystal Display (TFT-LCD) supply positive/negative driven applications such as smartphones, tablets, wearables and virtual reality headsets.



## Key technical features

- › Wide 2.7 V to 5 V operating input range
- › Dual output regulator with single inductor
- › Programmable output voltages
- › Supports I2C compatible interface
- › Package: WLCSP15 1.16 x 1.96 x 0.62 mm

## NEX10000

- › 80 mA output current
- › 86% efficiency at 40 mA combined output
- › Positive output voltage range: +4 V to +6 V (100 mV/step)
- › Negative output voltage range: -4 V to -6 V (100 mV/step)
- › ±1% output voltage accuracy
- › Excellent line/load regulation

## NEX10001

- › 220 mA output current
- › 85% efficiency at 80 mA combined output
- › Positive output voltage range: +4 V to +6.5 V (100 mV/step)
- › Negative output voltage range: -4 V to -6.5 V (100 mV/step)
- › ±1% output voltage accuracy
- › Excellent line/load regulation

## Key benefits

- › For single Li-ion battery powered display
- › High efficiency and low power loss
- › High output accuracy
- › Easy to control
- › Small size for mobile application

## Key applications

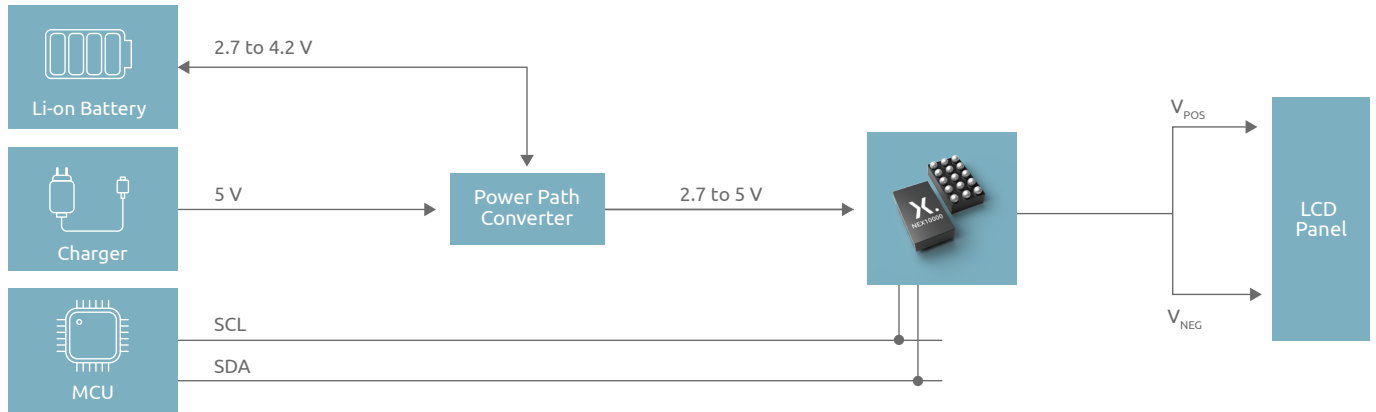
- › Smartphone & tablets LCD bias
- › Portable device LCD bias
- › Handheld IoT devices

**nexperia**

EFFICIENCY WINS.

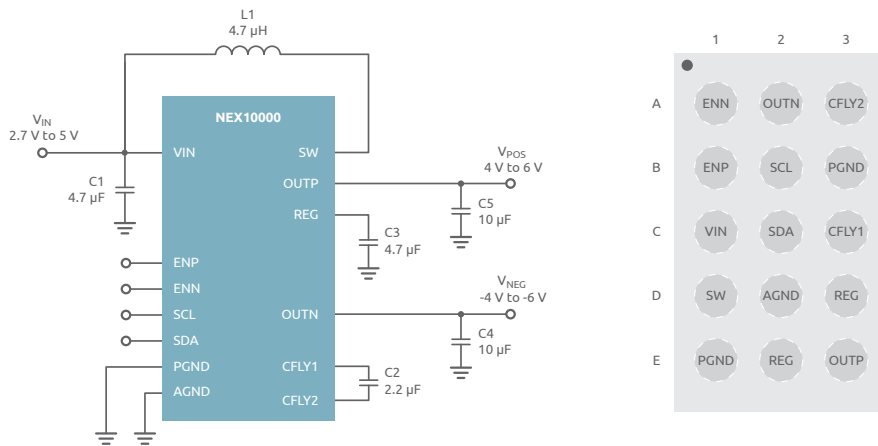
## Typical application

NEX10000/1 is designed to provide positive and negative output voltage for TFT-LCD panel

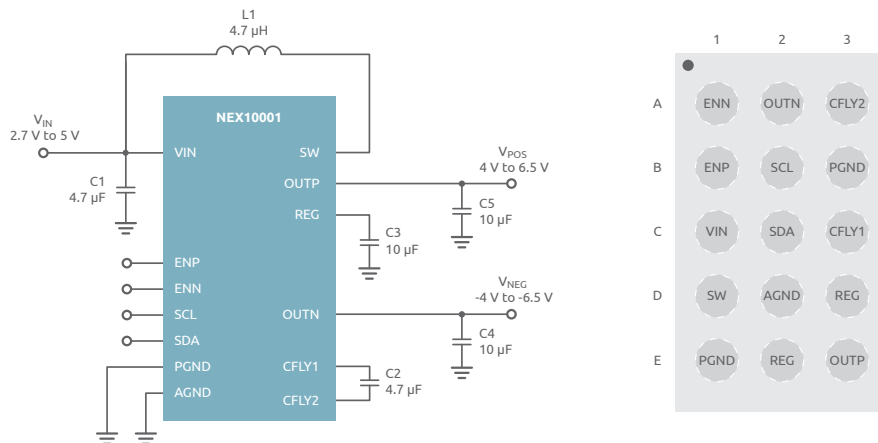


| Part number | Maximum output current (mA) | Panel size (mm) | Typical applications   |
|-------------|-----------------------------|-----------------|------------------------|
| NEX10000    | 80                          | 178 x 127       | Smart phone, VR        |
| NEX10001    | 220                         | 355.6 x 304.8   | Pad, IoT display panel |

## NEX10000



## NEX10001



© 2023 Nexperia B.V.

All rights reserved. Reproduction in whole or in part is prohibited without the prior written consent of the copyright owner. The information presented in this document does not form part of any quotation or contract, is believed to be accurate and reliable and may be changed without notice. No liability will be accepted by the publisher for any consequence of its use. Publication thereof does not convey nor imply any license under patent- or other industrial or intellectual property rights.

Date of release:  
December 2023