



SOT353-1

plastic, thin shrink small outline package; 5 leads; 0.65 mm pitch; 2 mm x 1.25 mm x 0.95 mm body

30 January 2017

Package information

1. Package summary

Terminal position code	D (double)
Package type descriptive code	TSSOP5
Package type industry code	TSSOP5
Package style descriptive code	TSSOP (thin shrink small outline package)
Package body material type	P (plastic)
JEDEC package outline code	MO-203
JEITA package outline code	SC-88A
Mounting method type	S (surface mount)
Issue date	19-2-2003
Manufacturer package code	SOT353

Table 1. Package summary

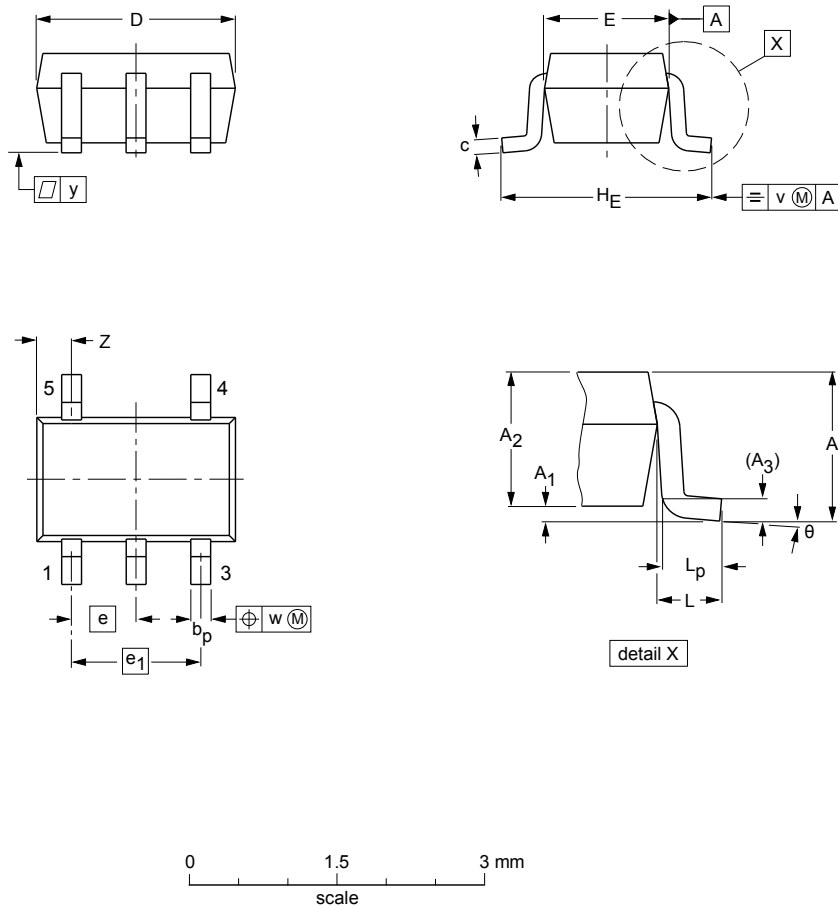
Symbol	Parameter	Min	Typ	Nom	Max	Unit
D	package length	1.85	-	2.05	2.25	mm
E	package width	1.15	-	1.25	1.35	mm
A	seated height	-	-	1.1	1.1	mm
A ₂	package height	0.8	-	0.9	1	mm
e	nominal pitch	-	-	0.65	-	mm
n ₂	actual quantity of termination	-	-	5	-	

plastic, thin shrink small outline package; 5 leads; 0.65 mm pitch; 2 mm x 1.25 mm x 0.95 mm body

2. Package outline

TSSOP5: plastic thin shrink small outline package; 5 leads; body width 1.25 mm

SOT353-1



DIMENSIONS (mm are the original dimensions)

UNIT	A max.	A ₁	A ₂	A ₃	b _p	c	D ⁽¹⁾	E ⁽¹⁾	e	e ₁	H _E	L	L _p	v	w	y	Z ⁽¹⁾	θ
mm	1.1	0.1 0	1.0 0.8	0.15	0.30 0.15	0.25 0.08	2.25 1.85	1.35 1.15	0.65	1.3	2.25 2.0	0.425	0.46 0.21	0.3	0.1	0.1	0.60 0.15	7° 0°

Note

1. Plastic or metal protrusions of 0.15 mm maximum per side are not included.

OUTLINE VERSION	REFERENCES				EUROPEAN PROJECTION	ISSUE DATE
	IEC	JEDEC	JEITA			
SOT353-1		MO-203	SC-88A			00-09-01 03-02-19

Fig. 1. Package outline TSSOP5 (SOT353-1)

plastic, thin shrink small outline package; 5 leads; 0.65 mm pitch; 2 mm x 1.25 mm x 0.95 mm body

3. Legal information

Disclaimers

Limited warranty and liability — Information in this document is believed to be accurate and reliable. However, Nexperia does not give any representations or warranties, expressed or implied, as to the accuracy or completeness of such information and shall have no liability for the consequences of use of such information. Nexperia takes no responsibility for the content in this document if provided by an information source outside of Nexperia.

In no event shall Nexperia be liable for any indirect, incidental, punitive, special or consequential damages (including - without limitation - lost profits, lost savings, business interruption, costs related to the removal or replacement of any products or rework charges) whether or not such damages are based on tort (including negligence), warranty, breach of contract or any other legal theory.

Notwithstanding any damages that customer might incur for any reason whatsoever, Nexperia' aggregate and cumulative liability towards customer for the products described herein shall be limited in accordance with the *Terms and conditions of commercial sale* of Nexperia.

Right to make changes — Nexperia reserves the right to make changes to information published in this document, including without limitation specifications and product descriptions, at any time and without notice. This document supersedes and replaces all information supplied prior to the publication hereof.

plastic, thin shrink small outline package; 5 leads; 0.65 mm pitch; 2 mm x 1.25 mm x 0.95 mm body

4. Contents

1. Package summary.....	1
2. Package outline.....	2
3. Legal information.....	3

© Nexperia B.V. 2017. All rights reserved

For more information, please visit: <http://www.nexperia.com>
For sales office addresses, please send an email to: salesaddresses@nexperia.com
Date of release: 30 January 2017
